

DRG NO. CTI/S/281021 PART NO P-5358

STRAIGHT SPLINE

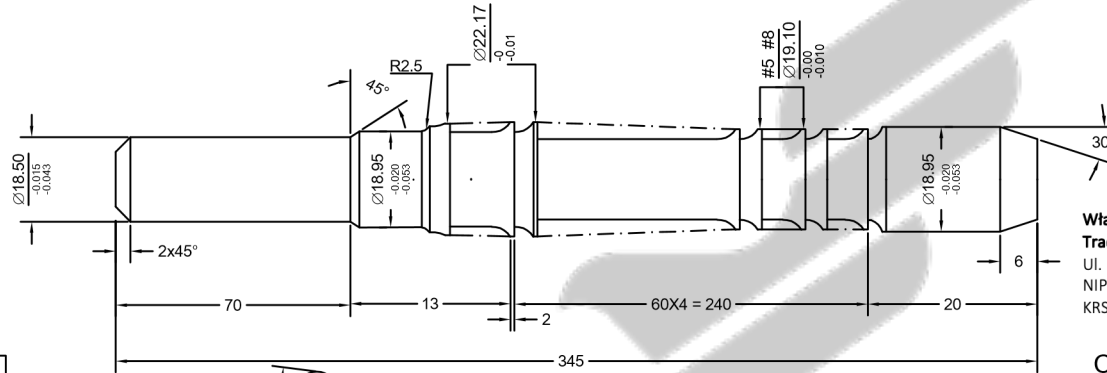
Z 13T

Hardness HRC 63-65

Pullend HRC 45-48

This Drawing is Property of CTI. It Must not be used copy and communicated for any Purpose without written authority of CTI Authorised.

Spline Z 13 T

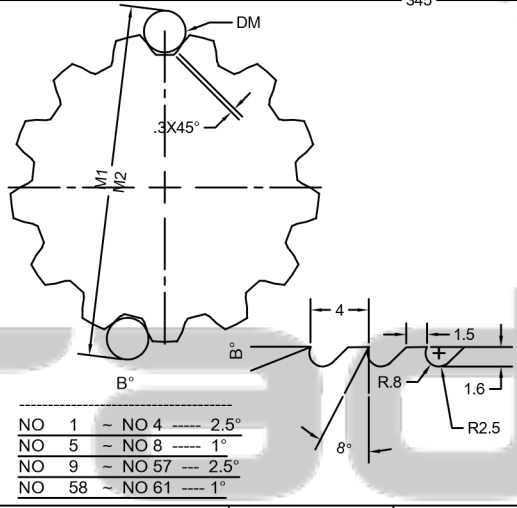


Własność intelektualna firmy:
Tradensa Sp. z o. o.
 Ul. Uroczna 5a, 62-081 Wysogotowo
 NIP: 781-20-22-828
 KRS: 0000910290

CHIPERBAKERS

1 depth .6 wide,
 Stagger 1 # 5
 10nicks/ per tooth

DM	DOP
Ø3.0	M1 = 25.190 -0.01 M2 = 25.175 -0.01
Ø3.5	M1 = 26.501 -0.01 M2 = 26.486 -0.01
Ø4.2	M1 = 28.274 -0.01 M2 = 28.259 -0.01



NO 1	~ NO 4	---- 2.5°
NO 5	~ NO 8	---- 1°
NO 9	~ NO 57	--- 2.5°
NO 58	~ NO 61	---- 1°

Component Detail

Z	13T
M	1.6
P.A.	30°
Job Length	15
Chamfer/Radius	0,3x45°

CTI

PATIALA

BROACH MATERIAL M2

UNIT MM	
DRG NO. CTI/S/281021 PART NO. P-5358	Date 28/10/2021
Designed by R. Shingari	Checked by Jatinder Singh
Approved by	Date

1	18.98	0.030
2	19.01	0.030
3	19.04	0.030
4	19.07	0.030
5	19.100	0.030
6	19.100	0.000
7	19.100	
8	19.100	
9	19.160	0.060
10	19.220	0.060
20	19.820	
30	20.420	
40	21.020	
48	21.500	0.060
49	21.570	0.070
57	22.130	0.070
58	22.170	0.040
59	22.170	0.000
60	22.170	0.000
61	22.170	0.000

TOOLS AND MACHINE PARTS