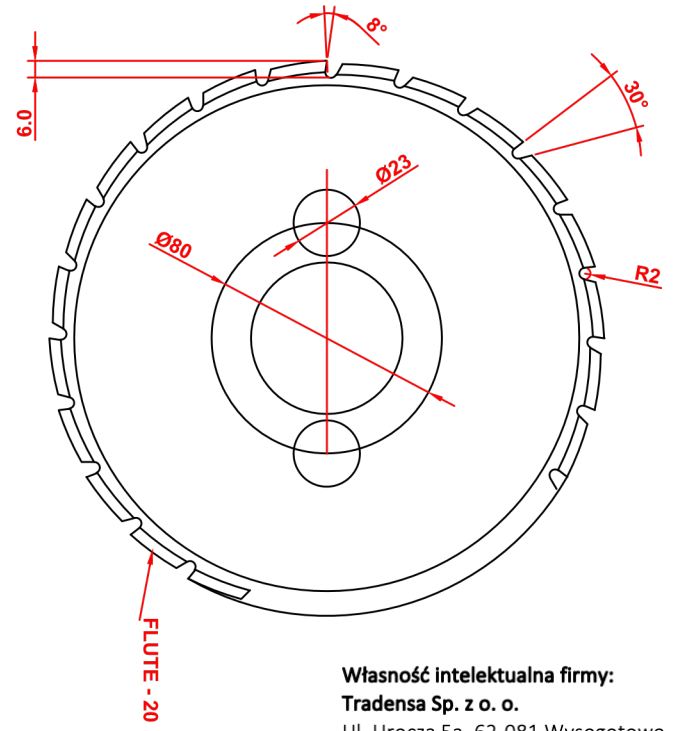
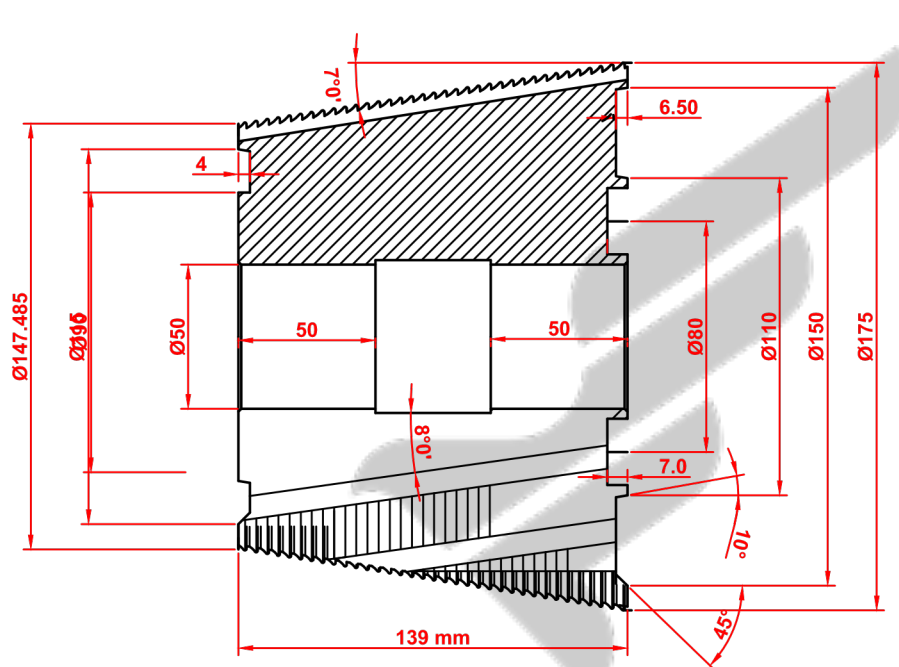


### CUTTER'S SPECIFICATION

LEAD ANGLE	$\gamma$	8°0'
RACK	u	8°0' ( 12.18 ) mm
AXIAL LEAD	H	25.397
NUM. OF GROOVES	i	20
GROOVE LEAD	HN	154" ( 3911.88 mm )
MODULE / D.P.	Mn	
PRESSURE ANGLE	$\alpha$	
CLASS		
KEYWAY		DIN 138
MATERIAL OF HOB		M-35
HOB SIZE		20- 175 X 139 X 50
RAKE ANGLE	$\varepsilon$	0°
CAM	hr	6.0
CLEARANCE ANGLE	$\varphi_k / \varphi$	9°28'26" / 3°16'
MARKING: CAPITAL-A M-35 Nro. $\gamma = 8^\circ 0'$ HN= 3911.88 H= 5-8 TPL		
DESIGN	APPROVED	
DATE :	19-08-2021	DATE :
CHARGE :	CAPITAL	APPROVED :



**Własność intelektualna firmy:**  
**Tradensa Sp. z o. o.**  
 Ul. Urocza 5a, 62-081 Wysogotowo  
 NIP: 781-20-22-828  
 KRS: 0000910290

N	Tn	Hn	r1	r2	Fn
1	4.869	2.63	1.09	3.72	4.833
2	4.751	2.57	0.99	3.73	4.715
3	4.038	2.40	0.95	3.33	4.008
4	3.526	2.22	0.77	3.59	3.499
5	3.767	2.34	0.84	3.56	3.739
6	4.446	2.50	0.91	3.11	4.412

